



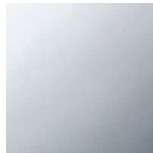
Sink - IMO

Single-lever lavatory mixer with raised spout without drain - polished chrome

Article number: 33 526 670-00 0010



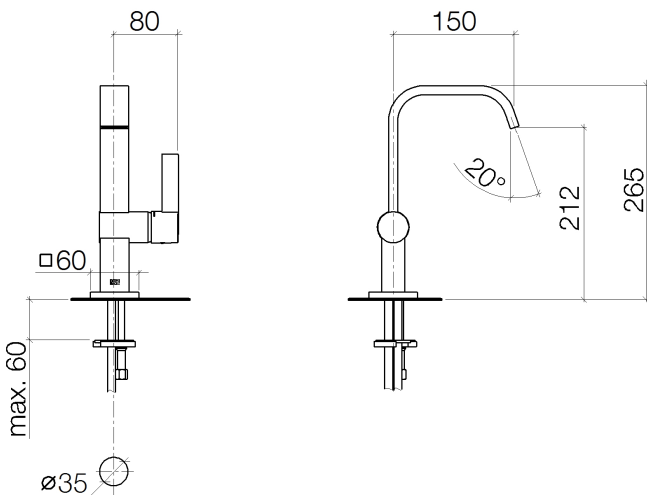
- 5-7/8" Projection
- Rigid spout
- Rectangular aerated stream
- Total height 10-3/8"
- Height to aerator/spout outlet 8-3/8"
- 1-3/8" hole diameter
- Flange 2-3/8" x 2-3/8"
- 2x 10 mm flexible supply lines including 3/8" US adapters
- Water flow rate limited to max. 1.2 gpm
- lead-free
- (ADA)



polished chrome



Dimensional drawing





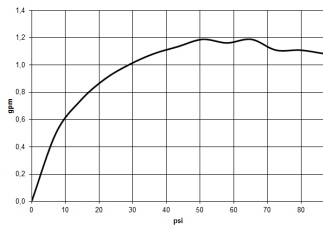
Sink - IMO

Single-lever lavatory mixer with raised spout without drain - polished chrome

Article number: 33 526 670-00 0010

All dimensions in mm / inch = mm x 0,0394

Flow rate chart





Sink - IMO

Single-lever lavatory mixer with raised spout without drain - polished chrome

Article number: 33 526 670-00 0010

Other surface finishes

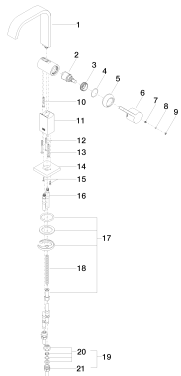


platinum matte

33 526 670-06 0010

More custom finish options are available via special production (xTra Service). Please see our finish matrix for availability and pricing or contact a Dornbracht representative.

Spare parts list



Number	Item Number	Designation	Number of units
--------	-------------	-------------	-----------------